

# Product data sheet

## Connectors for medical applications

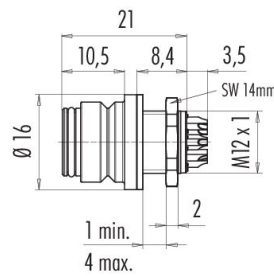


Product description	<b>Snap-In Female panel mount connector, Contacts: 5, unshielded, solder, IP67, VDE</b>
Area	<b>Snap-in IP67, miniature</b>
Part no.	<b>99 9116 50 05</b>

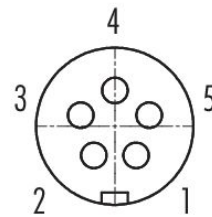
### Illustration



### Scale drawing



### Contact arrangement (Plug-in side)



You can find the component part drawing and assembly instructions on the next page.

## Technical data

### General features

Part no.	<b>99 9116 50 05</b>
Connector design	Female panel mount connector
Version	Connector socket straight
Connector locking system	snap-in
Termination	solder
Degree of protection	IP67
Cross-sectional area	max. 0.75 mm <sup>2</sup> / AWG 18
Temperature range from/to	-25 °C / 85 °C
Mechanical operation	> 500 Mating cycles
Weight (g)	6.285
Customs tariff number	85369010

### Electrical parameters

Rated voltage	125 V
Rated impulse voltage	1500 V
Rated current	5.0 A
Insulation resistance	≥ 10 <sup>10</sup> Ω
Pollution degree	2
Overvoltage category	II
Insulating material group	II
EMC compliance	unshielded

### Material

Housing material	PA
Contact body material	PA (UL94 HB) red



# Product data sheet

## Connectors for medical applications



Product description **Snap-In Female panel mount connector, Contacts: 5, unshielded, solder, IP67, VDE**

Area **Snap-in IP67, miniature**  
Part no. **99 9116 50 05**

Contact material CuSn (bronze)  
Contact plating Au (gold)

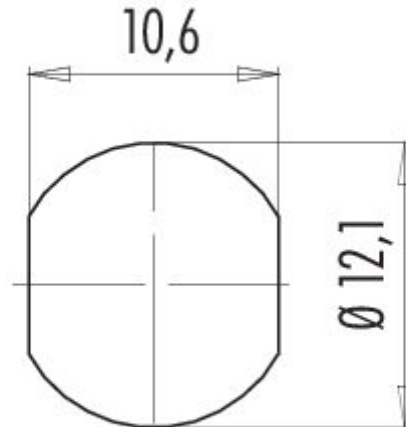
### Authorization/approvals

Approvals VDE

### Classifications

eCl@ss 11.1 27-44-01-02  
ETIM 9.0 EC002635

### Assembly instructions / Panel cut-out

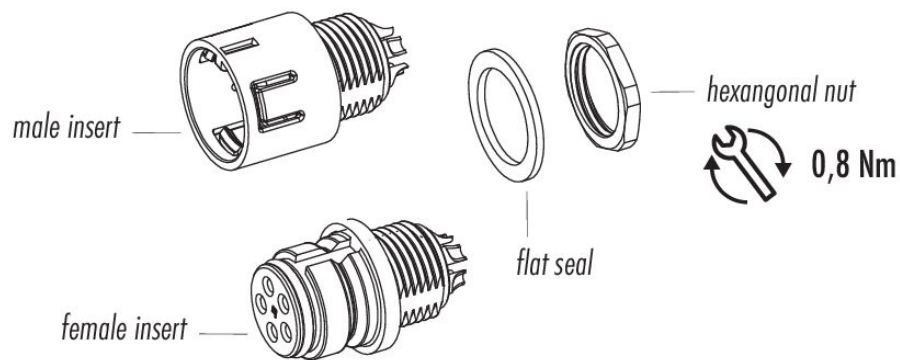


# Product data sheet

## Connectors for medical applications

Product description	<b>Snap-In Female panel mount connector, Contacts: 5, unshielded, solder, IP67, VDE</b>
Area	<b>Snap-in IP67, miniature</b>
Part no.	<b>99 9116 50 05</b>

### Component part drawing



# Product data sheet

## Connectors for medical applications



Product description	<b>Snap-In Female panel mount connector, Contacts: 5, unshielded, solder, IP67, VDE</b>
Area	<b>Snap-in IP67, miniature</b>
Part no.	<b>99 9116 50 05</b>

### Security notices

The connector must not be plugged or unplugged under load. Non-observance and improper use can result in personal injury.

The connectors have been developed for applications in plant engineering, control and electrical equipment construction. The user is responsible for checking whether the connectors can also be used in other areas of application.

To protect against unintentional opening of the connector, the thread between the housing and the connector head must be secured with a suitable cyanoacrylate adhesive when used in circuits with voltages dangerous to the touch. This does not apply to connectors used in SELV and PELV circuits according to IEC 61140 (EN 61140, VDE 0140-1).

Connectors which are used in circuits with voltages dangerous to the touch may only be installed and used by, or under the supervision of, persons with electrical engineering training, taking into account the applicable regulations and standards.

Plug connectors with enclosure protection IP67 and IP68 are not suitable for use under water. When used outdoors, the plug connectors must be protected separately against corrosion. For further information on the IP protection classes, please refer to the "Technical Information" download centre.

