

Product data sheet

Automation technology - Data transmission



Product description **M12 Female panel mount connector, Contacts: 8, shieldable, THT, IP67, UL**

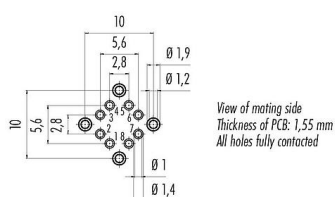
Area **M12-X**

Part no. **99 3782 200 08**

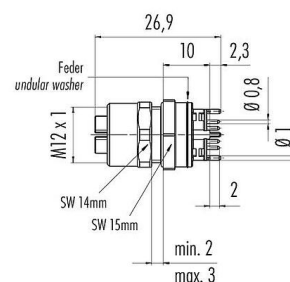
Illustration



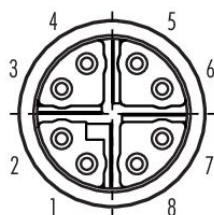
Conductor layout



Scale drawing



Contact arrangement (Plug-in side)



You can find the component part drawing and assembly instructions on the next page.

Technical data

General features

Part no.	99 3782 200 08
Connector design	Female panel mount connector
Type standard	DIN EN 61076-2-109
Version	Connector socket straight
Connector locking system	screw

Product data sheet

Automation technology - Data transmission



Product description	M12 Female panel mount connector, Contacts: 8, shieldable, THT, IP67, UL
Area	M12-X
Part no.	99 3782 200 08

Termination	THT
Degree of protection	IP67
Temperature range from/to	-40 °C / 85 °C
Mechanical operation	> 100 Mating cycles
Weight (g)	13.00
Customs tariff number	85369010
Country of Origin	DE

Electrical parameters

Rated voltage	50 V (AC) / 60 V (DC)
Rated current	0.5 A
Insulation resistance	> 10 ⁸ Ω
Pollution degree	3
Transmission rate	CAT 6A
Overvoltage category	II
Insulating material group	III
EMC compliance	shieldable
Shield connection	Shield pin

Material

Contact body material	PA
Contact material	CuSn (bronze)
Contact plating	Au (gold)
Locking material	CuZn (brass)
REACH SVHC	CAS 7439-92-1 (Lead)
SCIP number	46058c2c-9265-4586-9eac-8ab5f8ccaf30

Authorization/approvals

Approvals	UL
-----------	----

Classifications

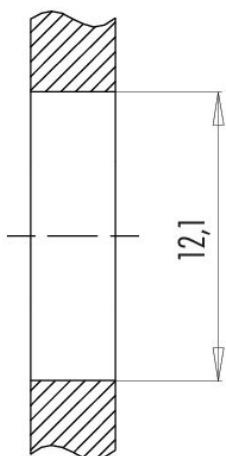
eCl@ss 11.1	27-44-01-02
ETIM 9.0	EC002635

Product description **M12 Female panel mount connector, Contacts: 8, shieldable, THT, IP67, UL**
Area **M12-X**
Part no. **99 3782 200 08**

Assembly instructions / Panel cut-out

Tightening moment

Metall housing 1,00 Nm



Thickness of wall Y (mm)		
Version	min (mm)	max (mm)
Fastened from rear	2	3,5
Front fastened	2	4,5
positioning possible ¹⁾	2	3,5
Screw clamp	2	3,5
Thread M12 x 1	1,5	4,3
Thread M14 x 1 ²⁾	³⁾ 1,5/ ⁴⁾ 2	6,5

Notes

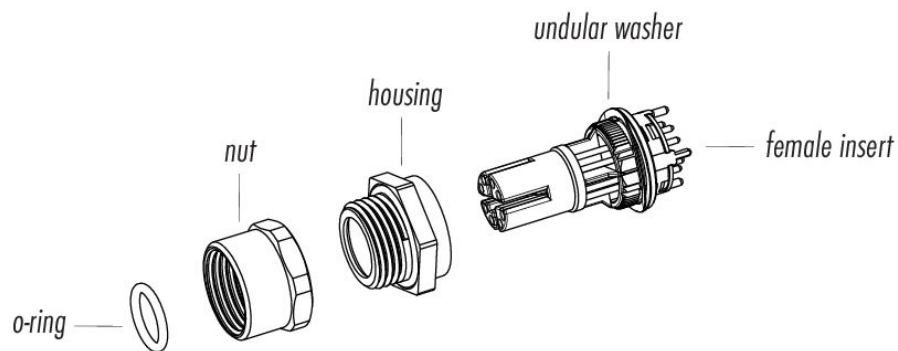
- ¹⁾ Do not attach a chamfer
- ²⁾ Wall thickness:
use nut 38 5385 100 001 up to 1,5 mm,
>1,5 mm cut thread
- ³⁾ Nut
- ⁴⁾ Thread in wall of housing

Product data sheet

Automation technology - Data transmission

Product description	M12 Female panel mount connector, Contacts: 8, shieldable, THT, IP67, UL
Area	M12-X
Part no.	99 3782 200 08

Component part drawing



Product data sheet

Automation technology - Data transmission



Product description	M12 Female panel mount connector, Contacts: 8, shieldable, THT, IP67, UL
Area	M12-X
Part no.	99 3782 200 08

Security notices

The connector must not be plugged or unplugged under load. Non-observance and improper use can result in personal injury.

The connectors have been developed for applications in plant engineering, control and electrical equipment construction. The user is responsible for checking whether the connectors can also be used in other areas of application.

Plug connectors with enclosure protection IP67 and IP68 are not suitable for use under water. When used outdoors, the plug connectors must be protected separately against corrosion. For further information on the IP protection classes, please refer to the "Technical Information" download centre.

To lock the cable connector with the device connector, the threaded ring is tightened "hand-tight" (approx. 50 cNm).