

Product data sheet

Automation technology - Data transmission

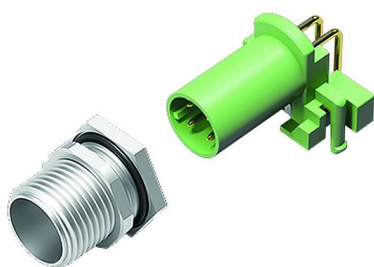


Product description **M12 Male panel mount connector, Contacts: 4, unshielded, THR, IP67, UL, two-part design**

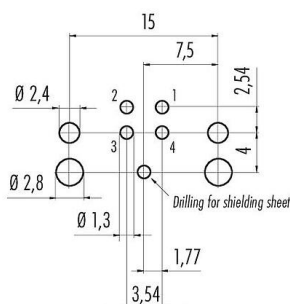
Area **M12-D**

Part no. **99 3731 202 04**

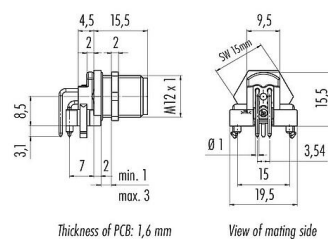
Illustration



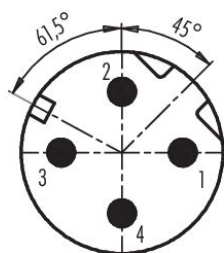
Conductor layout



Scale drawing



Contact arrangement (Plug-in side)



You can find the assembly instructions on the next page.

Technical data

General features

Part no.

99 3731 202 04

Connector design

Male panel mount connector

Type standard

DIN EN 61076-2-101

Product data sheet

Automation technology - Data transmission



Product description	M12 Male panel mount connector, Contacts: 4, unshielded, THR, IP67, UL, two-part design
Area	M12-D
Part no.	99 3731 202 04

Version	Connector pin angled
Connector locking system	screw
Termination	THR
Degree of protection	IP67
Temperature range from/to	-40 °C / 85 °C
Mechanical operation	> 100 Mating cycles
Additional information	two-part design
Weight (g)	8.29
Customs tariff number	85369010
Country of Origin	HU

Electrical parameters

Rated voltage	250 V
Rated impulse voltage	2500 V
Rated current	4.0 A
Pollution degree	3
Transmission rate	CAT 5
Overvoltage category	II
Insulating material group	II
EMC compliance	unshielded

Material

Housing material	CuZn (Brass nickel plated)
Contact body material	PA
Contact material	CuZn (brass)
Contact plating	Au (gold)
Locking material	CuZn (brass)
REACH SVHC	CAS 7439-92-1 (Lead)
SCIP number	d1710ad0-57f4-4ebd-9790-5462b3643851

Authorization/approvals

Approvals	UL
-----------	----

Classifications

eCl@ss 11.1	27-44-01-02
ETIM 9.0	EC002635

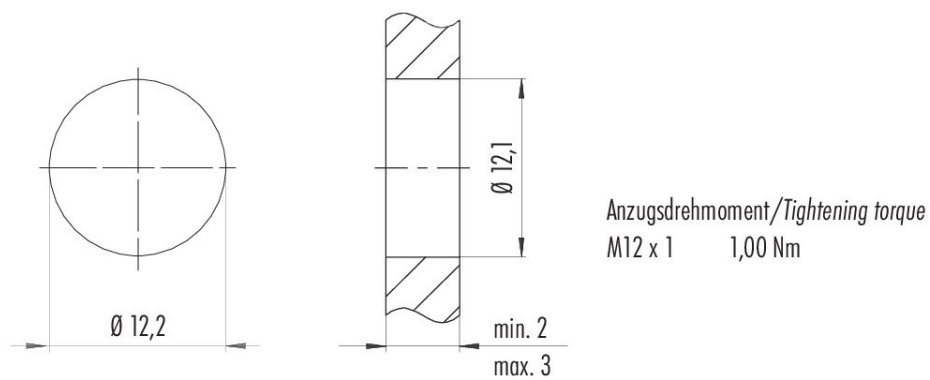
Product data sheet

Automation technology - Data transmission



Product description	M12 Male panel mount connector, Contacts: 4, unshielded, THR, IP67, UL, two-part design
Area	M12-D
Part no.	99 3731 202 04

Assembly instructions / Panel cut-out



Product data sheet

Automation technology - Data transmission



Product description	M12 Male panel mount connector, Contacts: 4, unshielded, THR, IP67, UL, two-part design
Area	M12-D
Part no.	99 3731 202 04

Security notices

The connector must not be plugged or unplugged under load. Non-observance and improper use can result in personal injury.

The connectors have been developed for applications in plant engineering, control and electrical equipment construction. The user is responsible for checking whether the connectors can also be used in other areas of application.

Plug connectors with enclosure protection IP67 and IP68 are not suitable for use under water. When used outdoors, the plug connectors must be protected separately against corrosion. For further information on the IP protection classes, please refer to the "Technical Information" download centre.

To lock the cable connector with the device connector, the threaded ring is tightened "hand-tight" (approx. 50 cNm).