

# Product data sheet

## Automation technology - Data transmission

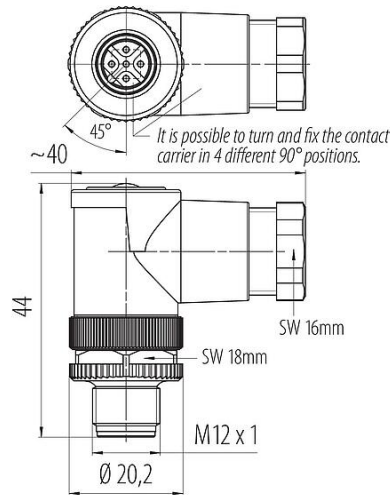


|                     |  |
|---------------------|--|
| Product description | <b>M12 Male angled connector, Contacts: 5, 6.0-8.0 mm, unshielded, screw clamp, IP67, UL</b> |
| Area                | <b>M12-B</b>   |
| Part no.            | <b>99 0437 145 05</b>  |

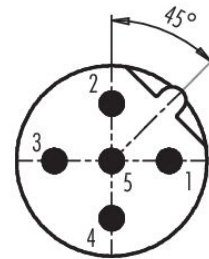
### Illustration



### Scale drawing



### Contact arrangement (Plug-in side)



You can find the component part drawing and assembly instructions on the next page.

## Technical data

### General features

|                           |                                    |
|---------------------------|------------------------------------|
| Part no.                  | <b>99 0437 145 05</b>              |
| Connector design          | Male angled connector              |
| Type standard             | DIN EN 61076-2-101                 |
| Version                   | Connector pin angled               |
| Connector locking system  | screw                              |
| Termination               | screw clamp                        |
| Degree of protection      | IP67                               |
| Cross-sectional area      | max. 0.75 mm <sup>2</sup> / AWG 18 |
| Cable outlet              | 6.0-8.0 mm                         |
| Twistability              | 90° (4 coding options)             |
| Temperature range from/to | -40 °C / 85 °C                     |
| Mechanical operation      | > 50 Mating cycles                 |
| Weight (g)                | 23.62                              |
| Customs tariff number     | 85369010                           |
| Country of Origin         | HU                                 |

### Electrical parameters

|                       |        |
|-----------------------|--------|
| Rated voltage         | 60 V   |
| Rated impulse voltage | 1500 V |
| Rated current         | 4.0 A  |

# Product data sheet

## Automation technology - Data transmission



|                     |  |
|---------------------|--|
| Product description | <b>M12 Male angled connector, Contacts: 5, 6.0-8.0 mm, unshielded, screw clamp, IP67, UL</b> |
| Area                | <b>M12-B</b>   |
| Part no.            | <b>99 0437 145 05</b>  |

|                           |                       |
|---------------------------|-----------------------|
| Insulation resistance     | $\geq 10^{10} \Omega$ |
| Pollution degree          | 3                     |
| Overvoltage category      | II                    |
| Insulating material group | III                   |
| EMC compliance            | unshielded            |

### Material

|                       |  |
|-----------------------|--|
| Housing material      | PA   |
| Contact body material | PA   |
| Contact material      | CuZn (brass)   |
| Contact plating       | CuSnZn (Optalloy)  |
| Locking material      | Zinc die-cast nickel-plated                                  |
| REACH SVHC            | CAS 96-45-7 (Imidazolidine-2-thione)<br>CAS 7439-92-1 (Lead) |
| SCIP number           | 977a2ae1-c033-4063-93ca-0509efd34658                         |

### Authorization/approvals

|           |    |
|-----------|----|
| Approvals | UL |
|-----------|----|

### Classifications

|             |             |
|-------------|-------------|
| eCl@ss 11.1 | 27-44-01-02 |
| ETIM 9.0    | EC002635    |

### Declarations of conformity

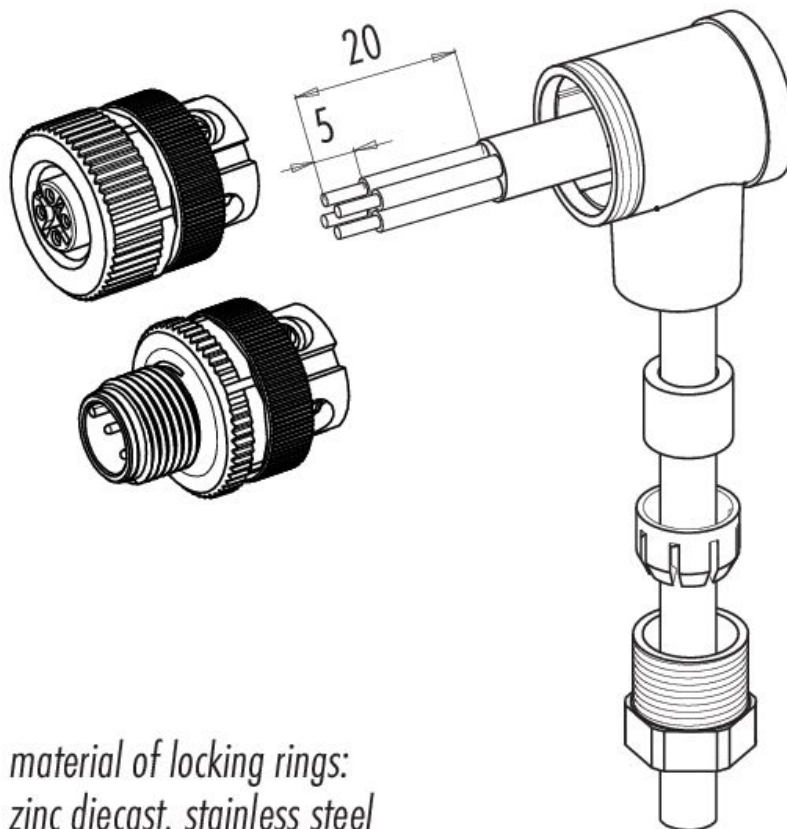
|                       |  |
|-----------------------|--|
| Low Voltage Directive | 2014/35/EU (EN 60204-1:2018;EN 60529:1991) |
|-----------------------|--|

**Product data sheet**  
Automation technology - Data transmission

Product description **M12 Male angled connector, Contacts: 5, 6.0-8.0 mm, unshielded, screw clamp, IP67, UL**

Area **M12-B**  
Part no. **99 0437 145 05**

**Assembly instructions**

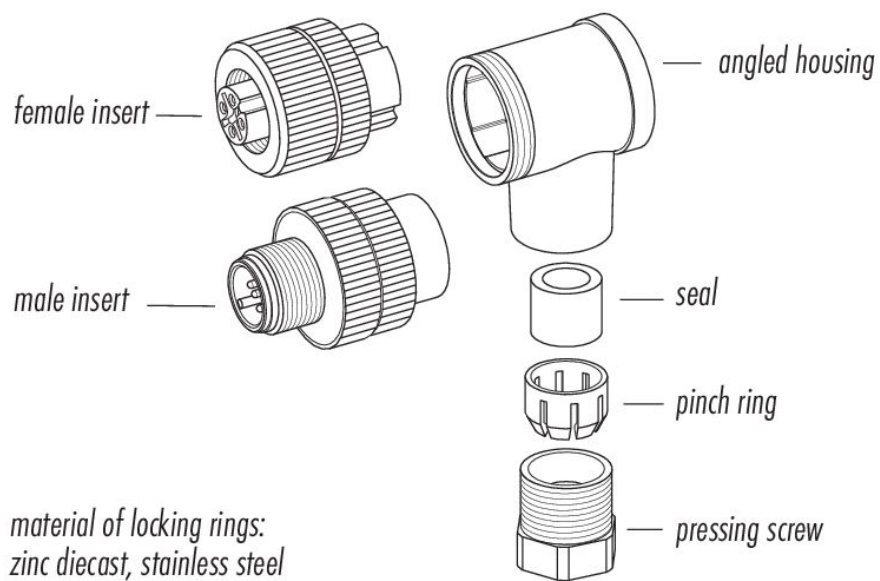


# Product data sheet

## Automation technology - Data transmission

|                     |   |
|---------------------|---|
| Product description | M12 Male angled connector, Contacts: 5, 6.0-8.0 mm, unshielded, screw clamp, IP67, UL |
| Area                | M12-B   |
| Part no.            | 99 0437 145 05  |

### Component part drawing



## Product data sheet

# Automation technology - Data transmission



|                     |  |
|---------------------|--|
| Product description | <b>M12 Male angled connector, Contacts: 5, 6.0-8.0 mm, unshielded, screw clamp, IP67, UL</b> |
| Area                | <b>M12-B</b>   |
| Part no.            | <b>99 0437 145 05</b>  |

### Security notices

The connectors have been developed for applications in plant engineering, control and electrical equipment construction. The user is responsible for checking whether the connectors can also be used in other areas of application.

Plug connectors with enclosure protection IP67 and IP68 are not suitable for use under water. When used outdoors, the plug connectors must be protected separately against corrosion. For further information on the IP protection classes, please refer to the "Technical Information" download centre.

To lock the cable connector with the device connector, the threaded ring is tightened "hand-tight" (approx. 60 cNm).