

# Product data sheet

## Subminiature connectors

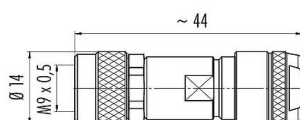


Product description	<b>M9 Female cable connector, Contacts: 2, 4.0-5.5 mm, shieldable, solder, IP67</b>
Area	<b>M9 IP67</b>
Part no.	<b>99 0402 115 02</b>

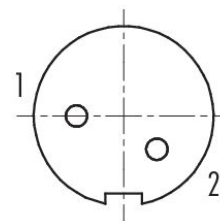
### Illustration



### Scale drawing



### Contact arrangement (Plug-in side)



You can find the assembly instructions on the next page.

## Technical data

### General features

Part no.	<b>99 0402 115 02</b>
Connector design	Female cable connector
Version	Connector socket straight
Connector locking system	screw
Termination	solder
Degree of protection	IP67
Cross-sectional area	max. 0.25 mm <sup>2</sup> / AWG 24
Cable outlet	4.0-5.5 mm
Temperature range from/to	-40 °C / 85 °C
Mechanical operation	> 500 Mating cycles
Weight (g)	25.40
Customs tariff number	85369010
Country of Origin	DE

### Electrical parameters

Rated voltage	125 V
Rated impulse voltage	1500 V
Rated current	4.0 A
Insulation resistance	≥ 10 <sup>10</sup> Ω
Pollution degree	1
Overvoltage category	II
Insulating material group	III
EMC compliance	shieldable
Shield connection	Iris type spring

# Product data sheet

## Subminiature connectors



Product description **M9 Female cable connector, Contacts: 2, 4.0-5.5 mm, shieldable, solder, IP67**

Area **M9 IP67**  
Part no. **99 0402 115 02**

### Material

Contact body material	PA (UL94 V-0)
Contact material	CuSn (bronze)
Contact plating	Au (gold)
Locking material	CuZn (brass)
REACH SVHC	CAS 7439-92-1 (Lead)
SCIP number	cf08ba34-42ae-4bc7-9035-53438dc26657

### Classifications

eCl@ss 11.1	27-44-01-02
ETIM 9.0	EC002635

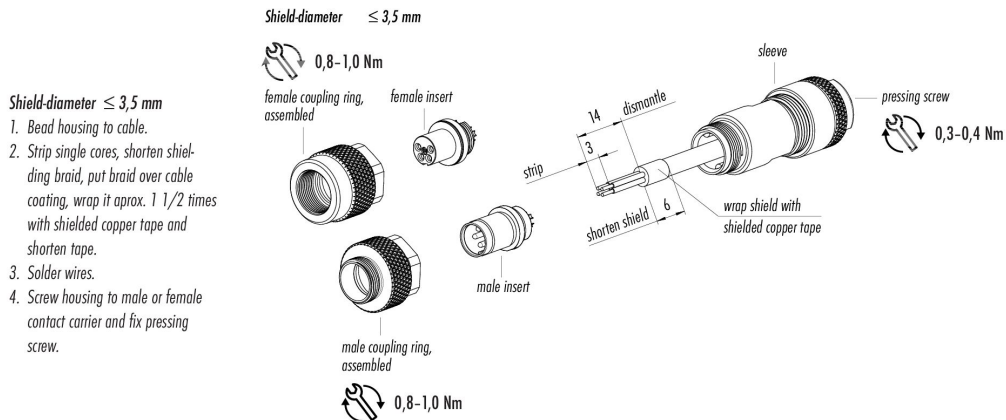
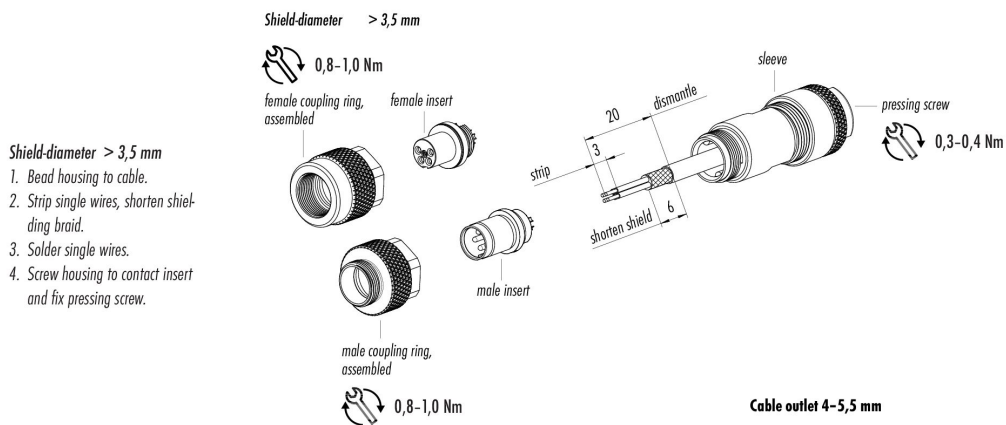
### Declarations of conformity

Low Voltage Directive	2014/35/EU (EN 60204-1:2018;EN 60529:1991)
-----------------------	--

Product description **M9 Female cable connector, Contacts: 2, 4.0-5.5 mm, shieldable, solder, IP67**

Area **M9 IP67**  
Part no. **99 0402 115 02**

## Assembly instructions



Product description	<b>M9 Female cable connector, Contacts: 2, 4.0-5.5 mm, shieldable, solder, IP67</b>
Area	<b>M9 IP67</b>
Part no.	<b>99 0402 115 02</b>

### **Security notices**

The connector must not be plugged or unplugged under load. Non-observance and improper use can result in personal injury.

The connectors have been developed for applications in plant engineering, control and electrical equipment construction. The user is responsible for checking whether the connectors can also be used in other areas of application.

Plug connectors with enclosure protection IP67 and IP68 are not suitable for use under water. When used outdoors, the plug connectors must be protected separately against corrosion. For further information on the IP protection classes, please refer to the "Technical Information" download centre.