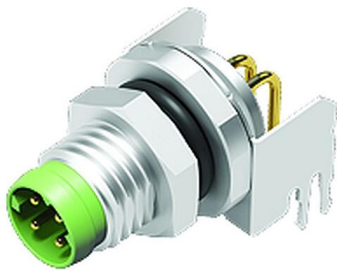
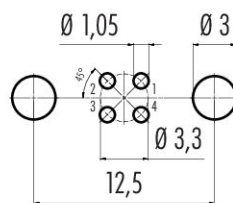


Product description	<b>M8 Male angled panel mount connector, Contacts: 4, shieldable, THT, IP67</b>
Area	<b>M8-D</b>
Part no.	<b>86 6321 1121 00404</b>

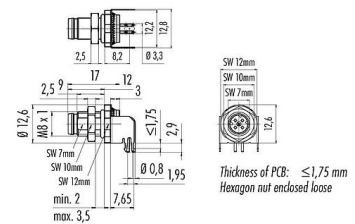
### Illustration



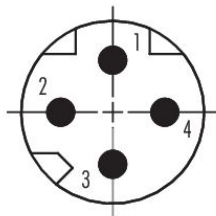
### Conductor layout



### Scale drawing



### Contact arrangement (Plug-in side)



You can find the assembly instructions on the next page.

### Technical data

#### General features

Part no.	<b>86 6321 1121 00404</b>
Connector design	Male angled panel mount connector
Type standard	DIN EN 61076-2-114
Version	Connector pin angled
Connector locking system	screw
Termination	THT

# Product data sheet

## Automation technology - Sensors and actuators



Product description	<b>M8 Male angled panel mount connector, Contacts: 4, shieldable, THT, IP67</b>
Area	<b>M8-D</b>
Part no.	<b>86 6321 1121 00404</b>

Degree of protection	IP67
Temperature range from/to	-40 °C / 85 °C
Mechanical operation	> 100 Mating cycles
Weight (g)	3.0
Customs tariff number	85369010

### Electrical parameters

Rated voltage	63 V DC
Rated impulse voltage	1500 V
Rated current	4.0 A
Insulation resistance	> 10 <sup>8</sup> Ω
Pollution degree	3
Insulating material group	III
EMC compliance	shieldable
Shield connection	Shielding plate

### Material

Housing material	Zinc die-cast nickel-plated
Contact body material	PA yellow/green
Contact material	CuZn (brass) / CuSn (bronze)
Contact plating	Au (gold)
REACH SVHC	CAS 7439-92-1 (Lead) NK (Nicht klassifiziert)

### Classifications

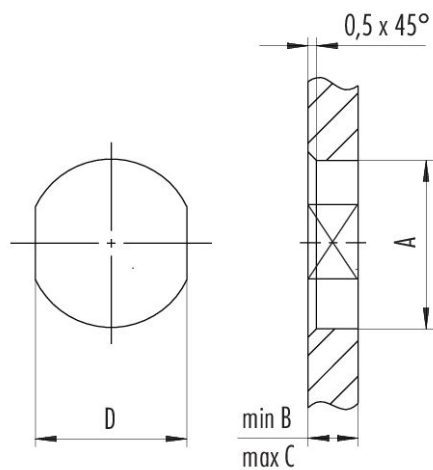
eCl@ss 11.1	27-44-01-09
ETIM 9.0	EC003569

Product description **M8 Male angled panel mount connector, Contacts: 4, shieldable, THT, IP67**  
Area **M8-D**  
Part no. **86 6321 1121 00404**

**Assembly instructions / Panel cut-out**

*1<sup>st</sup> Installation proposal*

*With flats as anti-rotation device*



Thread E	A	B	C	D
M8 x 0,5	8,1	2,5	3,5	7,1
M8 x 1	8,1	2,5	3,5	7,1
M10 x 0,75	10,1	2,5	5,0	9,1

*Tightening torque*

M8 x 0,5 0,8 Nm  
M8 x 1/M10 x 0,75 1,0 Nm

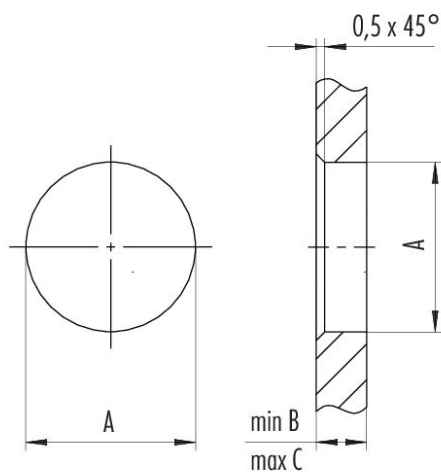
Product description **M8 Male angled panel mount connector, Contacts: 4, shieldable, THT, IP67**

Area **M8-D**  
Part no. **86 6321 1121 00404**

**Assembly instructions / Panel cut-out**

*2<sup>nd</sup> Installation proposal*

*With bore hole*



Thread E	A	B	C	D
M8 x 0,5	8,1	2,5	3,5	7,1
M8 x 1	8,1	2,5	3,5	7,1
M10 x 0,75	10,1	2,5	5,0	9,1

*Tightening torque*

M8 x 0,5	0,8 Nm
M8 x 1/M10 x 0,75	1,0 Nm

Product description	<b>M8 Male angled panel mount connector, Contacts: 4, shieldable, THT, IP67</b>
Area	<b>M8-D</b>
Part no.	<b>86 6321 1121 00404</b>

### Security notices

The connectors have been developed for applications in plant engineering, control and electrical equipment construction. The user is responsible for checking whether the connectors can also be used in other areas of application.

Plug connectors with enclosure protection IP67 and IP68 are not suitable for use under water. When used outdoors, the plug connectors must be protected separately against corrosion. For further information on the IP protection classes, please refer to the "Technical Information" download centre.

To lock the cable connector with the device connector, the threaded ring is tightened "hand-tight" (approx. 40 cNm).