

Product data sheet

Automation technology - Voltage and Power Supply

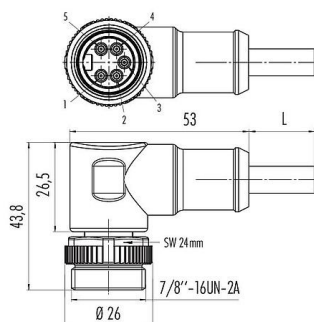


Product description	7/8" Male angled connector, Contacts: 3, unshielded, moulded on the cable, IP68, UL, PUR, black, 3 x 1.50 mm ² , 10 m
Area	7/8"
Part no.	77 1427 0000 50003-1000

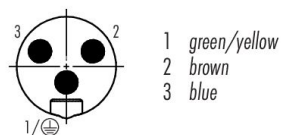
Illustration



Scale drawing



Contact arrangement (Plug-in side)



Technical data

General features

Part no.	77 1427 0000 50003-1000
Connector design	Male angled connector
Cable length	10 m (Other lengths are available on request.)
Version	Connector pin angled
Connector locking system	screw
Termination	moulded on the cable
Degree of protection	IP68
Cross-sectional area	1.50 mm ² / AWG 16
Temperature range from/to	-25 °C / 80 °C
Mechanical operation	> 100 Mating cycles
Weight (g)	450.22
Customs tariff number	85444290

Electrical parameters

Rated voltage	300 V (600 V UL)
Rated impulse voltage	2500 V
Rated current	13.0 A
Pollution degree	3
Overvoltage category	II
Insulating material group	I
EMC compliance	unshielded

Product data sheet

Automation technology - Voltage and Power Supply



Product description	7/8" Male angled connector, Contacts: 3, unshielded, moulded on the cable, IP68, UL, PUR, black, 3 x 1.50 mm ² , 10 m
Area	7/8"
Part no.	77 1427 0000 50003-1000

Material

Housing material	PUR
Contact body material	PUR
Contact material	CuZn (brass)
Contact plating	Au (gold)
REACH SVHC	CAS 7439-92-1 (Lead)
SCIP number	f5dca32e-5950-4d7e-9967-83199c399d6f

Authorization/approvals

Approvals	UL
-----------	----

Classifications

eCl@ss 11.1	27-06-03-11
ETIM 9.0	EC002638

Declarations of conformity

Low Voltage Directive	2014/35/EU (EN 60529:1991;EN 60204-1:2018)
-----------------------	--

Cable data - Structure of the cable

Cable diameter	7.4 mm
Cross section	3 x 1.50 mm ²
Sheath material	PUR
Single-lead insulation	TPM
Single-lead structure	82 x 0.15 mm
Cable color	black

Cable data - Mechanical properties

Bending radius, fixed cable	≥ 7.5 x Ø
Bending cycles	5 million
Permitted acceleration	5 m/s ²
Travel distance, horizontal	20 m
Travel speed	≤ 300 m/min

Cable data - Thermal properties

Temperature range cable in move from/to	-20 °C / 80 °C
Temperature range cable fixed from/to	-40 °C / 80 °C

Cable data - Other features

Halogen free	yes
--------------	-----

Product description	7/8" Male angled connector, Contacts: 3, unshielded, moulded on the cable, IP68, UL, PUR, black, 3 x 1.50 mm², 10 m
Area	7/8"
Part no.	77 1427 0000 50003-1000

Security notices

The connector must not be plugged or unplugged under load. Non-observance and improper use can result in personal injury.

The connectors have been developed for applications in plant engineering, control and electrical equipment construction. The user is responsible for checking whether the connectors can also be used in other areas of application.

Connectors which are used in circuits with voltages dangerous to the touch may only be installed and used by, or under the supervision of, persons with electrical engineering training, taking into account the applicable regulations and standards.

Plug connectors with enclosure protection IP67 and IP68 are not suitable for use under water. When used outdoors, the plug connectors must be protected separately against corrosion. For further information on the IP protection classes, please refer to the "Technical Information" download centre.

To lock the cable connector with the device connector, the threaded ring is tightened "hand-tight" (approx. 50 cNm).