

Product data sheet

Automation technology - Data transmission



Product description **M12 Male panel mount connector, Contacts: 4, unshielded, single wires, IP68, UL, PG 9, front fastened**

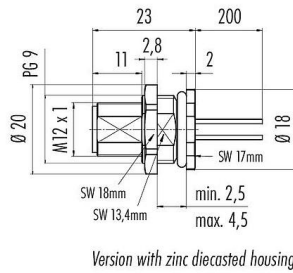
Area **M12-B**

Part no. **76 0533 1011 00104-0200**

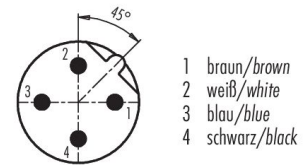
Illustration



Scale drawing



Contact arrangement (Plug-in side)



You can find the assembly instructions on the next page.

Technical data

General features

Part no.	76 0533 1011 00104-0200
	Alternative part no.: 09 4431 116 04
Notice	Please note that, due to the change from the old to the new order number, there may be deviations in the technical specifications. For questions about product details, please use the 'Contact Customer Service' form on the right.
Connector design	Male panel mount connector
Type standard	DIN EN 61076-2-101
Wire length	0.2 m (Standard 0.2 m. Other lengths are available on request).
Version	Connector pin straight
Connector locking system	screw
Termination	single wires
Degree of protection	IP68
Cross-sectional area	0.25 mm ² / AWG 24
Temperature range from/to	-40 °C / 85 °C
Mechanical operation	> 100 Mating cycles
Weight (g)	14.71
Customs tariff number	85369010

Electrical parameters

Rated voltage	250 V
Rated impulse voltage	2500 V
Rated current	4.0 A
Insulation resistance	> 10 ⁸ Ω
Pollution degree	3
Overvoltage category	II

Product data sheet

Automation technology - Data transmission



Product description **M12 Male panel mount connector, Contacts: 4, unshielded, single wires, IP68, UL, PG 9, front fastened**

Area **M12-B**

Part no. **76 0533 1011 00104-0200**

Insulating material group **II**

EMC compliance **unshielded**

Material

Housing material **Zinc die-cast nickel-plated**

Contact body material **PA**

Contact material **CuZn (brass)**

Contact plating **Au (gold)**

REACH SVHC **CAS 7439-92-1 (Lead)**

SCIP number **994b6bac-b35c-4ab7-8868-7b3e5a6a166d**

Authorization/approvals

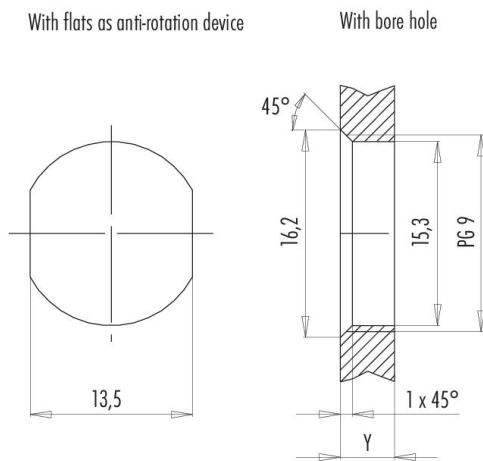
Approvals **UL**

Classifications

eCl@ss 11.1 **27-44-01-03**

ETIM 9.0 **EC003570**

Assembly instructions / Panel cut-out



Installation direction: o-ring sits on chamfer.

Tightening moment

Metall housing/Plastic housing **1,25 Nm**

Thickness of wall Y (mm)		
Version	min (mm)	max (mm)
Fastened from rear	2	3,5
Front fastened	2	4,5
positioning possible ¹⁾	2	3,5
Screw clamp	2	3,5
Thread M12 x 1	2	3,0
Thread M14 x 1 ²⁾	³⁾ 1,5/ ⁴⁾ 2	6,5

Notes

- ¹⁾ Do not attach a chamfer
- ²⁾ Wall thickness:
use nut 38 5385 100 001 up to 1,5 mm,
>1,5 mm cut thread
- ³⁾ Nut
- ⁴⁾ Thread in wall of housing

Product data sheet

Automation technology - Data transmission



Product description	M12 Male panel mount connector, Contacts: 4, unshielded, single wires, IP68, UL, PG 9, front fastened
Area	M12-B
Part no.	76 0533 1011 00104-0200

Security notices

The connector must not be plugged or unplugged under load. Non-observance and improper use can result in personal injury.

The connectors have been developed for applications in plant engineering, control and electrical equipment construction. The user is responsible for checking whether the connectors can also be used in other areas of application.

Plug connectors with enclosure protection IP67 and IP68 are not suitable for use under water. For further information on the IP protection classes, please refer to the "Technical Information" download centre.