

# Product data sheet

## Automation technology - Voltage and Power Supply

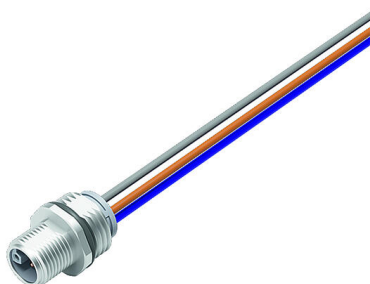


Product description **M12 Male panel mount connector, Contacts: 4+FE, unshielded, single wires, IP68, UL, M16x1.5**

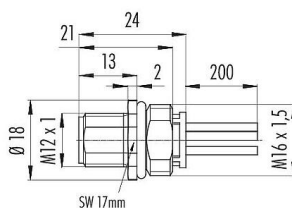
Area **M12-L**

Part no. **09 0641 400 05**

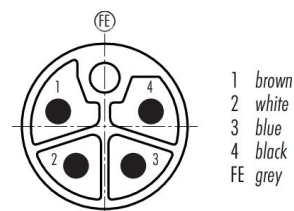
### Illustration



### Scale drawing



### Contact arrangement (Plug-in side)



You can find the assembly instructions on the next page.

## Technical data

### General features

Part no.	<b>09 0641 400 05</b>
Connector design	Male panel mount connector
Type standard	DIN EN IEC 61076-2-111:2018-10;VDE 0687-76-2-111:2018-10
Version	Connector pin straight
Connector locking system	screw
Termination	single wires
Degree of protection	IP68
Cross-sectional area	AWG 14
Temperature range from/to	-40 °C / 105 °C
Mechanical operation	> 100 Mating cycles
Weight (g)	34.45
Customs tariff number	85369010
Country of Origin	DE

### Electrical parameters

Rated voltage	63 V
Rated impulse voltage	1500 V
Rated current	16.0 A
Insulation resistance	> 10 <sup>10</sup> Ω
Pollution degree	3
Overvoltage category	III
Insulating material group	I
EMC compliance	unshielded

# Product data sheet

## Automation technology - Voltage and Power Supply



Product description	<b>M12 Male panel mount connector, Contacts: 4+FE, unshielded, single wires, IP68, UL, M16x1.5</b>
Area	<b>M12-L</b>
Part no.	<b>09 0641 400 05</b>

### Material

Housing material	Zinc die-cast nickel-plated
Contact body material	PA
Contact material	CuZn (brass)
Contact plating	Au (gold)
REACH SVHC	CAS 7439-92-1 (Lead)
SCIP number	95f24e12-0078-4b13-87a5-512bbca1ad72

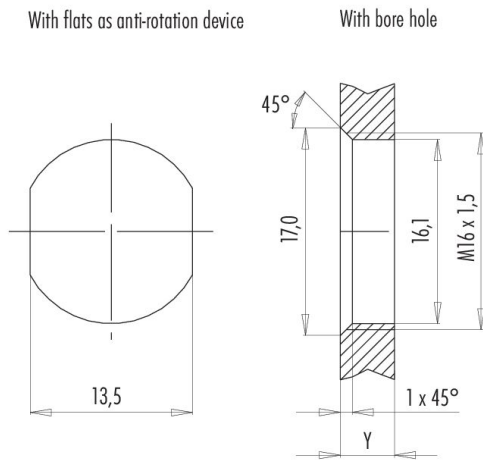
### Authorization/approvals

Approvals	UL
-----------	----

### Classifications

eCl@ss 11.1	27-44-01-09
ETIM 9.0	EC003569

### Assembly instructions / Panel cut-out



### Tightening moment

Metall housing/Plastic housing 1,25 Nm

Thickness of wall Y (mm)		
Version	min (mm)	max (mm)
Fastened from rear	2	3,5
Front fastened	2	4,5
positioning possible <sup>1)</sup>	2	3,5
Screw clamp	2	3,5
Thread M12 x 1	2	3,0
Thread M14 x 1 <sup>2)</sup>	<sup>3)</sup> 1,5/ <sup>4)</sup> 2	6,5

### Notes

- <sup>1)</sup> Do not attach a chamfer
- <sup>2)</sup> Wall thickness:  
use nut 38 5385 100 001 up to 1,5 mm,  
>1,5 mm cut thread
- <sup>3)</sup> Nut
- <sup>4)</sup> Thread in wall of housing

# Product data sheet

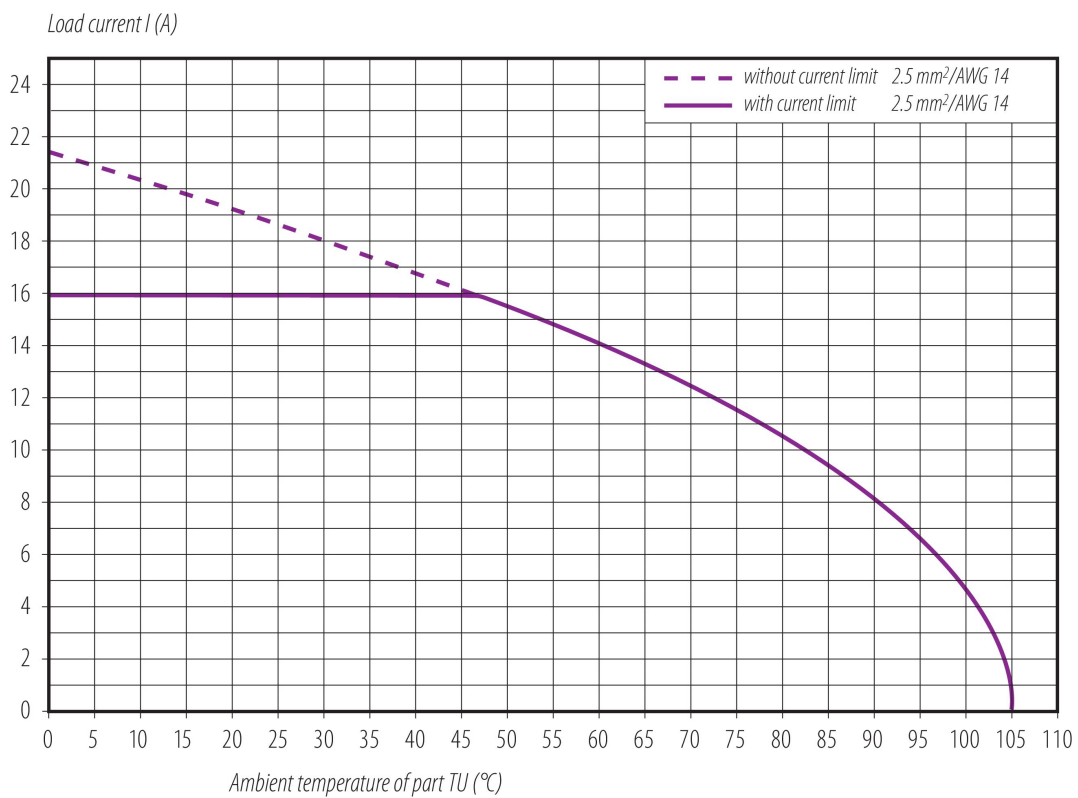
## Automation technology - Voltage and Power Supply



Product description **M12 Male panel mount connector, Contacts: 4+FE, unshielded, single wires, IP68, UL, M16x1.5**

Area **M12-L**  
Part no. **09 0641 400 05**

### Derating curve



Product description	<b>M12 Male panel mount connector, Contacts: 4+FE, unshielded, single wires, IP68, UL, M16x1.5</b>
Area	<b>M12-L</b>
Part no.	<b>09 0641 400 05</b>

### **Security notices**

The connector must not be plugged or unplugged under load. Non-observance and improper use can result in personal injury.

The connectors have been developed for applications in plant engineering, control and electrical equipment construction. The user is responsible for checking whether the connectors can also be used in other areas of application.

Plug connectors with enclosure protection IP67 and IP68 are not suitable for use under water. When used outdoors, the plug connectors must be protected separately against corrosion. For further information on the IP protection classes, please refer to the "Technical Information" download centre.

To lock the cable connector with the device connector, the threaded ring is tightened "hand-tight" (approx. 60 cNm).