

Product data sheet

Automation technology - Voltage and Power Supply



Product description **M12 Male panel mount connector, Contacts: 4, unshielded, THT, IP68, UL, VDE, M16x1.5, front fastened**

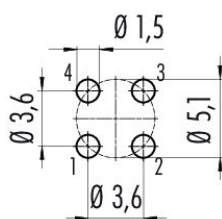
Area **M12-T**

Part no. **09 0631 90 04**

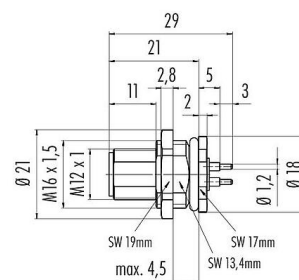
Illustration



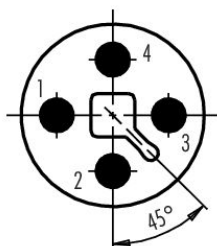
Conductor layout



Scale drawing



Contact arrangement (Plug-in side)



You can find the assembly instructions on the next page.

Technical data

General features

Part no.

09 0631 90 04

Connector design

Male panel mount connector

Type standard

DIN EN IEC 61076-2-111:2018-10;VDE 0687-76-2-111:2018-10

Version

Connector pin straight

Product data sheet

Automation technology - Voltage and Power Supply



Product description	M12 Male panel mount connector, Contacts: 4, unshielded, THT, IP68, UL, VDE, M16x1.5, front fastened
Area Part no.	M12-T 09 0631 90 04

Connector locking system	screw
Termination	THT
Degree of protection	IP68
Cross-sectional area	max. 1.50 mm ² / AWG 16
Temperature range from/to	-40 °C / 85 °C
Mechanical operation	> 100 Mating cycles
Weight (g)	14.51
Customs tariff number	85369010
Country of Origin	DE

Electrical parameters

Rated voltage	63 V
Rated impulse voltage	1500 V
Rated current	12.0 A
Pollution degree	3
Overvoltage category	III
Insulating material group	II
EMC compliance	unshielded

Material

Contact body material	PA
Contact material	CuZn (brass)
Contact plating	Au (gold)
REACH SVHC	CAS 7439-92-1 (Lead)
SCIP number	b97c823b-d50c-467a-9911-a24809178f54

Authorization/approvals

Approvals	UL, VDE
-----------	---------

Classifications

eCl@ss 11.1	27-44-01-09
ETIM 9.0	EC003569

Product data sheet

Automation technology - Voltage and Power Supply

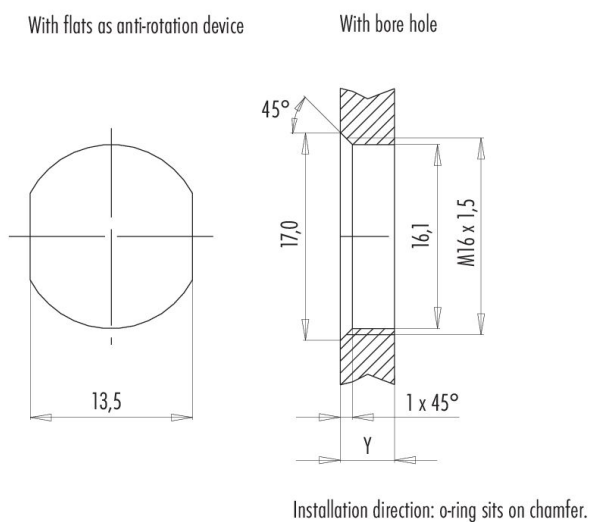


Product description **M12 Male panel mount connector, Contacts: 4, unshielded, THT, IP68, UL, VDE, M16x1.5, front fastened**

Area **M12-T**

Part no. **09 0631 90 04**

Assembly instructions / Panel cut-out



Tightening moment

Metall housing/Plastic housing 1,25 Nm

Thickness of wall Y (mm)		
Version	min (mm)	max (mm)
Fastened from rear	2	3,5
Front fastened	2	4,5
positioning possible ¹⁾	2	3,5
Screw clamp	2	3,5
Thread M12 x 1	2	3,0
Thread M14 x 1 ²⁾	³⁾ 1,5/ ⁴⁾ 2	6,5

Notes

- ¹⁾ Do not attach a chamfer
- ²⁾ Wall thickness:
use nut 38 5385 100 001 up to 1,5 mm,
>1,5 mm cut thread
- ³⁾ Nut
- ⁴⁾ Thread in wall of housing

Product data sheet

Automation technology - Voltage and Power Supply

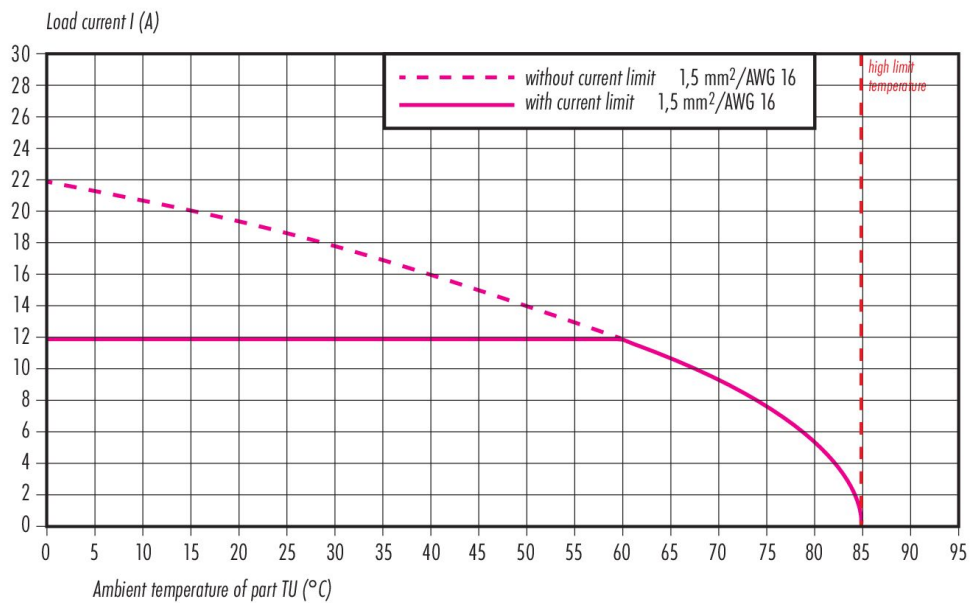


Product description **M12 Male panel mount connector, Contacts: 4, unshielded, THT, IP68, UL, VDE, M16x1.5, front fastened**

Area **M12-T**

Part no. **09 0631 90 04**

Derating curve



Product description	M12 Male panel mount connector, Contacts: 4, unshielded, THT, IP68, UL, VDE, M16x1.5, front fastened
Area	M12-T
Part no.	09 0631 90 04

Security notices

The connector must not be plugged or unplugged under load. Non-observance and improper use can result in personal injury.

The connectors have been developed for applications in plant engineering, control and electrical equipment construction. The user is responsible for checking whether the connectors can also be used in other areas of application.

To protect against unintentional opening of the connector, the thread between the housing and the connector head must be secured with a suitable cyanoacrylate adhesive when used in circuits with voltages dangerous to the touch. This does not apply to connectors used in SELV and PELV circuits according to IEC 61140 (EN 61140, VDE 0140-1).

Connectors which are used in circuits with voltages dangerous to the touch may only be installed and used by, or under the supervision of, persons with electrical engineering training, taking into account the applicable regulations and standards.

Plug connectors with enclosure protection IP67 and IP68 are not suitable for use under water. When used outdoors, the plug connectors must be protected separately against corrosion. For further information on the IP protection classes, please refer to the "Technical Information" download centre.

To lock the cable connector with the device connector, the threaded ring is tightened "hand-tight" (approx. 60 cNm).