

Product data sheet

Automation technology - Voltage and Power Supply



Product description **M12 Square male panel mount connector, Contacts: 4, unshielded, single wires, IP40, UL**

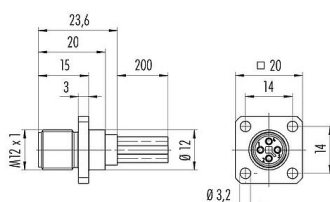
Area **M12-T**

Part no. **09 0631 070 04**

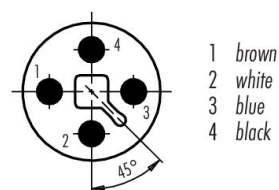
Illustration



Scale drawing



Contact arrangement (Plug-in side)



You can find the assembly instructions on the next page.

Technical data

General features

Part no.	09 0631 070 04
Connector design	Square male panel mount connector
Type standard	DIN EN IEC 61076-2-111:2018-10; VDE 0687-76-2-111:2018-10
Version	Connector pin straight
Connector locking system	screw
Termination	single wires
Degree of protection	IP40
	IP67 with seal, see accessories
Cross-sectional area	1.38 mm ² / AWG 16
Temperature range from/to	-40 °C / 85 °C
Mechanical operation	> 100 Mating cycles
Weight (g)	26.81
Customs tariff number	85369010
Country of Origin	DE

Electrical parameters

Rated voltage	63 V
Rated impulse voltage	1500 V
Rated current	12.0 A
Pollution degree	3
Oversvoltage category	III
Insulating material group	II
EMC compliance	unshielded

Material

Contact body material	PA
-----------------------	----

Product data sheet

Automation technology - Voltage and Power Supply



Product description **M12 Square male panel mount connector, Contacts: 4, unshielded, single wires, IP40, UL**

Area **M12-T**

Part no. **09 0631 070 04**

Contact material **CuZn (brass)**

Contact plating **Au (gold)**

REACH SVHC **CAS 7439-92-1 (Lead)**

SCIP number **bcd5933-9a2e-47f1-b05f-60769ca803cc**

Authorization/approvals

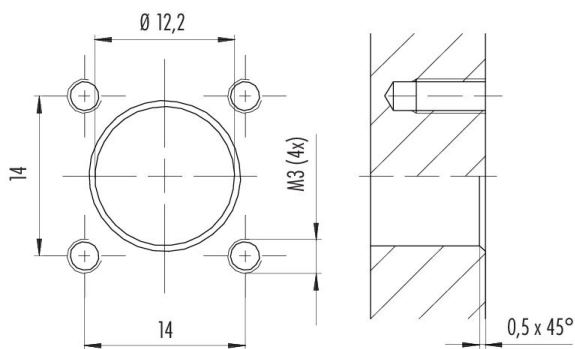
Approvals **UL**

Classifications

eCl@ss 11.1 **27-44-01-09**

ETIM 9.0 **EC003569**

Assembly instructions / Panel cut-out



Voraussetzungen für Schutzart IP67:

1. Verwendung von Dichtung, Best.-Nr. 16 0959 000
2. Gewinde M3 (4x) als Gewindesacklöcher oder Schraubenköpfe abgedichtet

Requirements for Degree of protection IP67:

1. Use of sealing, Ordering-No. 16 0959 000
2. M3 thread (4x) sealed as a threaded blind holes or screw heads

Product data sheet

Automation technology - Voltage and Power Supply

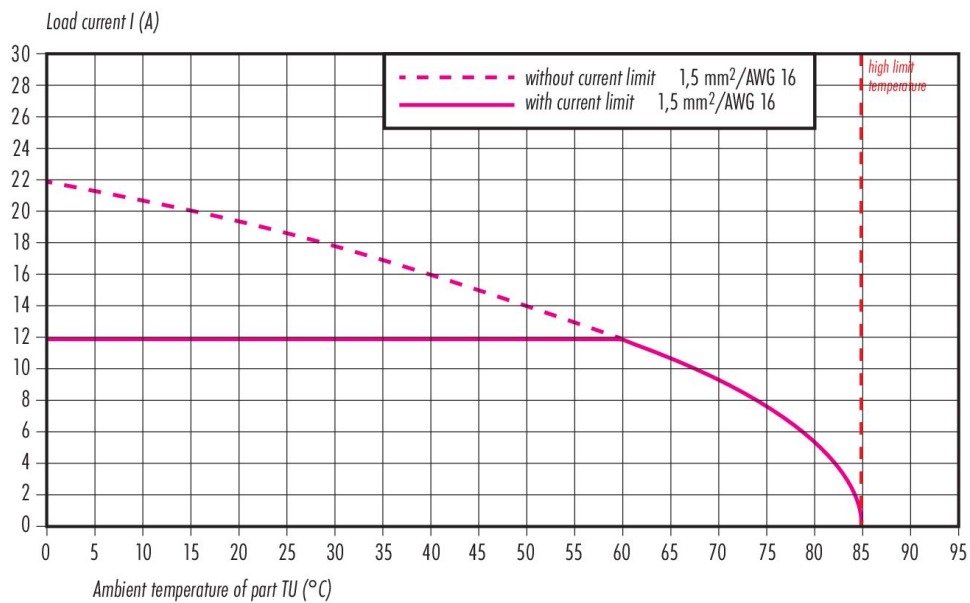


Product description **M12 Square male panel mount connector, Contacts: 4, unshielded, single wires, IP40, UL**

Area **M12-T**

Part no. **09 0631 070 04**

Derating curve



Product description	M12 Square male panel mount connector, Contacts: 4, unshielded, single wires, IP40, UL
Area	M12-T
Part no.	09 0631 070 04

Security notices

The connector must not be plugged or unplugged under load. Non-observance and improper use can result in personal injury.

The connectors have been developed for applications in plant engineering, control and electrical equipment construction. The user is responsible for checking whether the connectors can also be used in other areas of application.

To protect against unintentional opening of the connector, the thread between the housing and the connector head must be secured with a suitable cyanoacrylate adhesive when used in circuits with voltages dangerous to the touch. This does not apply to connectors used in SELV and PELV circuits according to IEC 61140 (EN 61140, VDE 0140-1).

Connectors which are used in circuits with voltages dangerous to the touch may only be installed and used by, or under the supervision of, persons with electrical engineering training, taking into account the applicable regulations and standards.

Plug connectors with enclosure protection IP67 and IP68 are not suitable for use under water. When used outdoors, the plug connectors must be protected separately against corrosion. For further information on the IP protection classes, please refer to the "Technical Information" download centre.

To lock the cable connector with the device connector, the threaded ring is tightened "hand-tight" (approx. 60 cNm).