

Product data sheet

Miniature connectors

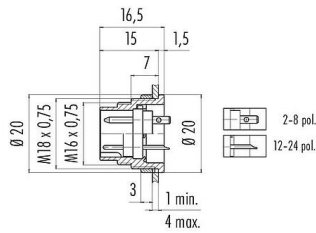


Product description	M16 Male panel mount connector, Contacts: 16, unshielded, solder, IP40, front fastened
Area	M16 IP40
Part no.	09 0339 80 16

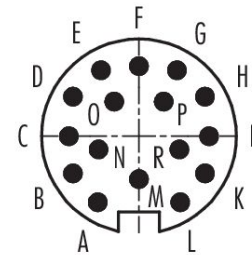
Illustration



Scale drawing



Contact arrangement (Plug-in side)



You can find the component part drawing and assembly instructions on the next page.

Technical data

General features

Part no.	09 0339 80 16
Connector design	Male panel mount connector
Version	Connector pin straight
Connector locking system	screw
Termination	solder
Degree of protection	IP40
Cross-sectional area	0.25 mm ² / AWG 24
Temperature range from/to	-40 °C / 85 °C
Mechanical operation	> 500 Mating cycles
Weight (g)	11.71
Customs tariff number	85369010
Country of Origin	DE

Electrical parameters

Rated voltage	60 V
Rated impulse voltage	500 V
Rated current	3,0 A
Insulation resistance	≥ 10 ¹⁰ Ω
Pollution degree	1
Overvoltage category	I
Insulating material group	III
EMC compliance	unshielded

Material

Housing material	Zinc die-cast nickel-plated
------------------	-----------------------------

Product data sheet

Miniature connectors



Product description **M16 Male panel mount connector, Contacts: 16, unshielded, solder, IP40, front fastened**

Area **M16 IP40**
Part no. **09 0339 80 16**

Contact body material	PBT (UL94 V-0)
Contact material	CuZn (brass)
Contact plating	Au (gold)
REACH SVHC	CAS 7439-92-1 (Lead)
SCIP number	66b34079-001f-4b36-b10e-7d39c1b8cfd3

Classifications

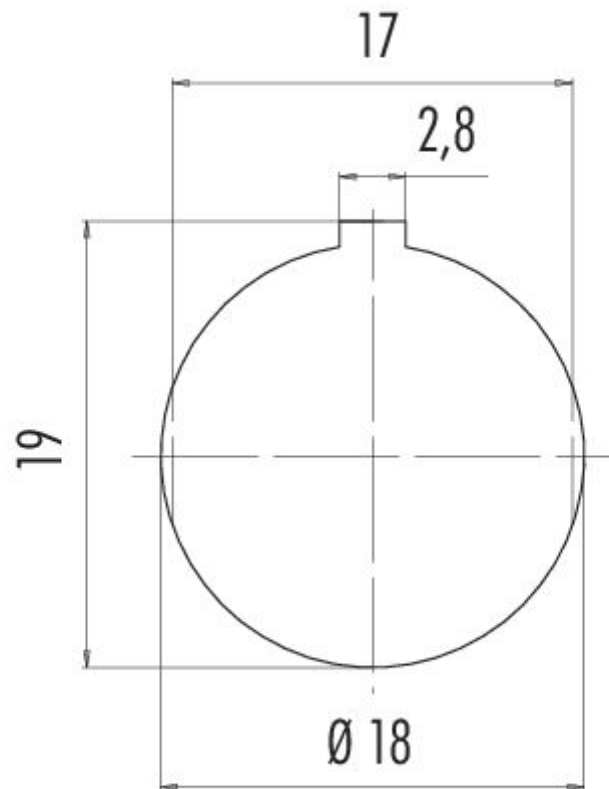
eCl@ss 11.1	27-44-01-09
ETIM 9.0	EC003569

Product data sheet
Miniature connectors



Product description	M16 Male panel mount connector, Contacts: 16, unshielded, solder, IP40, front fastened
Area	M16 IP40
Part no.	09 0339 80 16

Assembly instructions / Panel cut-out



Product data sheet

Miniature connectors



Product description	M16 Male panel mount connector, Contacts: 16, unshielded, solder, IP40, front fastened
Area	M16 IP40
Part no.	09 0339 80 16

Component part drawing

