

# Product data sheet

## Miniature connectors

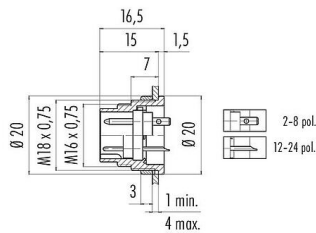


Product description	<b>M16 Male panel mount connector, Contacts: 5 (05-a), unshielded, solder, IP40, front fastened</b>
Area	<b>M16 IP40</b>
Part no.	<b>09 0315 80 05</b>

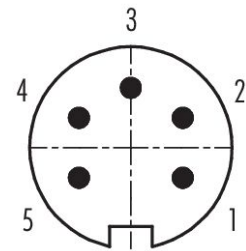
### Illustration



### Scale drawing



### Contact arrangement (Plug-in side)



You can find the component part drawing and assembly instructions on the next page.

### Technical data

#### General features

Part no.	<b>09 0315 80 05</b>
Connector design	Male panel mount connector
Type standard	DIN EN 61076-2-106
Version	Connector pin straight
Connector locking system	screw
Termination	solder
Degree of protection	IP40
Cross-sectional area	0.75 mm <sup>2</sup> / AWG 18
Temperature range from/to	-40 °C / 85 °C
Mechanical operation	> 500 Mating cycles
Weight (g)	10.90
Customs tariff number	85369010
Country of Origin	DE

#### Electrical parameters

Rated voltage	250 V
Rated impulse voltage	1500 V
Rated current	6.0 A
Insulation resistance	≥ 10 <sup>10</sup> Ω
Pollution degree	1
Overvoltage category	I
Insulating material group	III
EMC compliance	unshielded

# Product data sheet

## Miniature connectors



Product description	<b>M16 Male panel mount connector, Contacts: 5 (05-a), unshielded, solder, IP40, front fastened</b>
Area	<b>M16 IP40</b>
Part no.	<b>09 0315 80 05</b>

### Material

Housing material	Zinc die-cast nickel-plated
Contact body material	PBT (UL94 V-0)
Contact material	CuZn (brass)
Contact plating	Ag (silver)
REACH SVHC	CAS 7439-92-1 (Lead)
SCIP number	069be08c-58ac-4895-b857-88c66ba57649

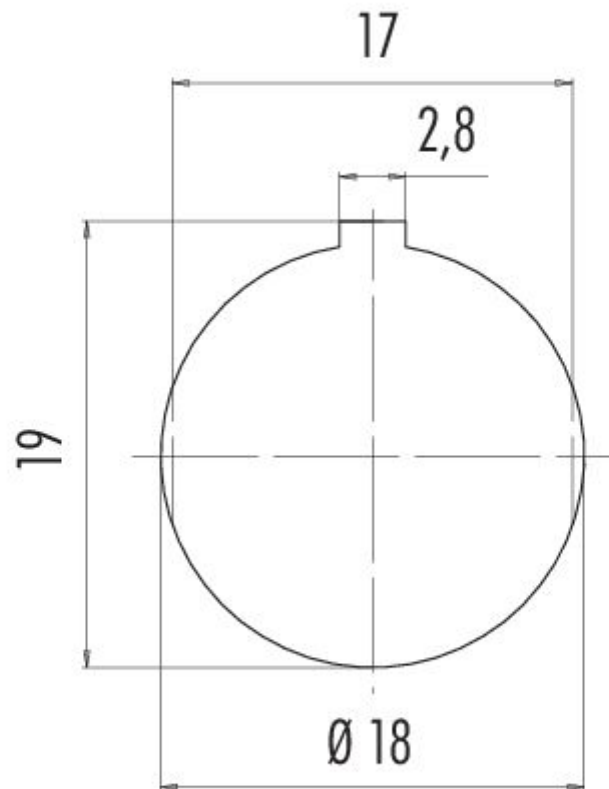
### Classifications

eCl@ss 11.1	27-44-01-09
ETIM 9.0	EC003569

**Product data sheet**  
**Miniature connectors**

Product description	<b>M16 Male panel mount connector, Contacts: 5 (05-a), unshielded, solder, IP40, front fastened</b>
Area	<b>M16 IP40</b>
Part no.	<b>09 0315 80 05</b>

**Assembly instructions / Panel cut-out**



# Product data sheet

## Miniature connectors



Product description	<b>M16 Male panel mount connector, Contacts: 5 (05-a), unshielded, solder, IP40, front fastened</b>
Area	<b>M16 IP40</b>
Part no.	<b>09 0315 80 05</b>

### Component part drawing

