

Product data sheet

Miniature connectors

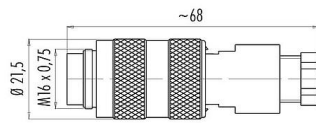


| | |
|---------------------|---|
| Product description | M16 Male cable connector, Contacts: 6 (06-a), 6.0-8.0 mm, unshielded, solder, IP67 |
| Area | M16 IP67 |
| Part no. | 09 0121 70 06 |

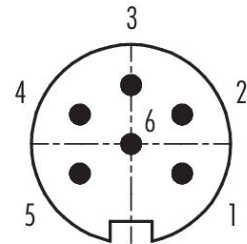
Illustration



Scale drawing



Contact arrangement (Plug-in side)



You can find the assembly instructions on the next page.

Technical data

General features

| | |
|---------------------------|-------------------------------|
| Part no. | 09 0121 70 06 |
| Connector design | Male cable connector |
| Type standard | DIN EN 61076-2-106 |
| Version | Connector pin straight |
| Connector locking system | screw |
| Termination | solder |
| Degree of protection | IP67 |
| Cross-sectional area | 0.75 mm ² / AWG 18 |
| Cable outlet | 6.0-8.0 mm |
| Temperature range from/to | -40 °C / 95 °C |
| Mechanical operation | > 500 Mating cycles |
| Weight (g) | 36.14 |
| Customs tariff number | 85369010 |
| Country of Origin | DE |

Electrical parameters

| | |
|---------------------------|----------------------|
| Rated voltage | 250 V |
| Rated impulse voltage | 1500 V |
| Rated current | 5.0 A |
| Insulation resistance | ≥ 10 ¹⁰ Ω |
| Pollution degree | 1 |
| Overvoltage category | I |
| Insulating material group | III |
| EMC compliance | unshielded |

Product data sheet

Miniature connectors

| | |
|---------------------|---|
| Product description | M16 Male cable connector, Contacts: 6 (06-a), 6.0-8.0 mm, unshielded, solder, IP67 |
| Area | M16 IP67 |
| Part no. | 09 0121 70 06 |

Material

| | |
|-----------------------|--|
| Housing material | PA |
| Contact body material | PBT (UL94 V-0) |
| Contact material | CuZn (brass) |
| Contact plating | Ag (silver) |
| REACH SVHC | CAS 96-45-7 (Imidazolidine-2-thione) CAS 7439-92-1 (Lead) |
| SCIP number | 17eaf8e7-dc4a-466f-8d86-f9994c311ff4 |

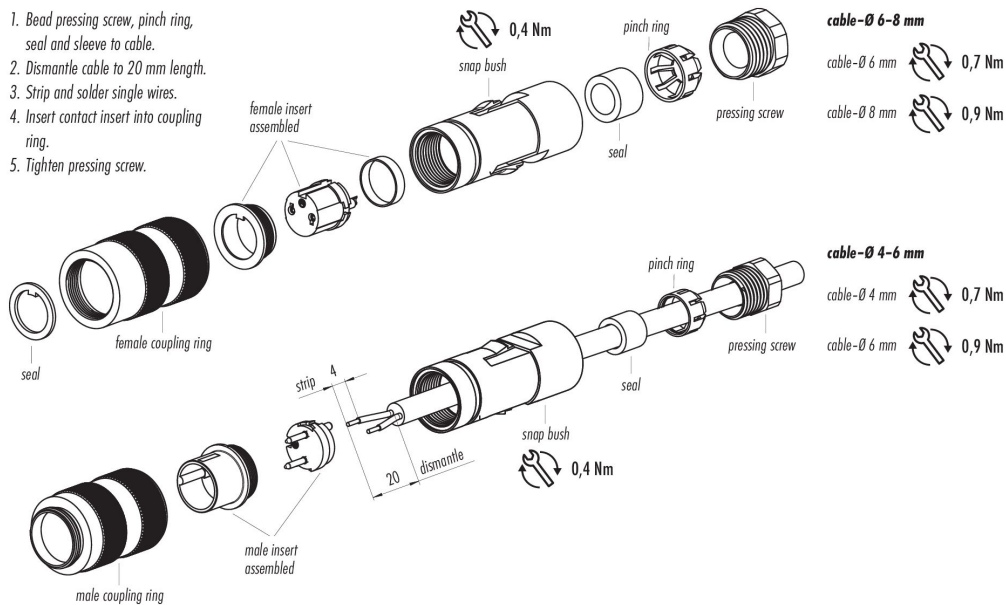
Classifications

| | |
|-------------|-------------|
| eCl@ss 11.1 | 27-44-01-09 |
| ETIM 9.0 | EC003569 |

Declarations of conformity

| | |
|-----------------------|--|
| Low Voltage Directive | 2014/35/EU (EN 60204-1:2018;EN 60529:1991) |
|-----------------------|--|

Assembly instructions



| | |
|---------------------|---|
| Product description | M16 Male cable connector, Contacts: 6 (06-a), 6.0-8.0 mm, unshielded, solder, IP67 |
| Area | M16 IP67 |
| Part no. | 09 0121 70 06 |

Security notices

The connector must not be plugged or unplugged under load. Non-observance and improper use can result in personal injury.

The connectors have been developed for applications in plant engineering, control and electrical equipment construction. The user is responsible for checking whether the connectors can also be used in other areas of application.

Plug connectors with enclosure protection IP67 and IP68 are not suitable for use under water. When used outdoors, the plug connectors must be protected separately against corrosion. For further information on the IP protection classes, please refer to the "Technical Information" download centre.

The plug connector is not suitable for mains voltages. Please observe the pollution degree and the overvoltage category. For further information, please refer to the download center "Technical Information".

The protection class specification applies on condition that the four mounting holes are made as blind holes.