

Product data sheet

Connectors for medical applications

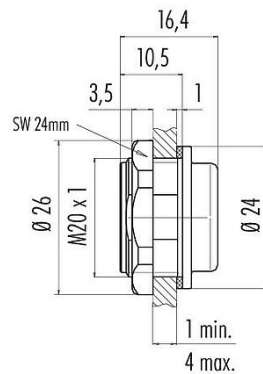


Product description	Adapter, unshielded, screwable from the front
Area	Snap-in IP67, miniature
Part no.	08 2434 400 001

Illustration



Scale drawing



You can find the component part drawing and assembly instructions on the next page.

Technical data

General features

Part no.	08 2434 400 001
Connector design	Adapter
Version	Adapter
Additional information	screwable from the front
Weight (g)	7.43
Customs tariff number	85369010

Electrical parameters

EMC compliance	unshielded
----------------	------------

Material

Housing material	PA GF 25
REACH SVHC	CAS 7439-92-1 (Lead)
SCIP number	01d96e0a-534b-4384-b944-c4cbae8a0f87

Classifications

eCl@ss 11.1	27-44-02-08
ETIM 9.0	EC002638

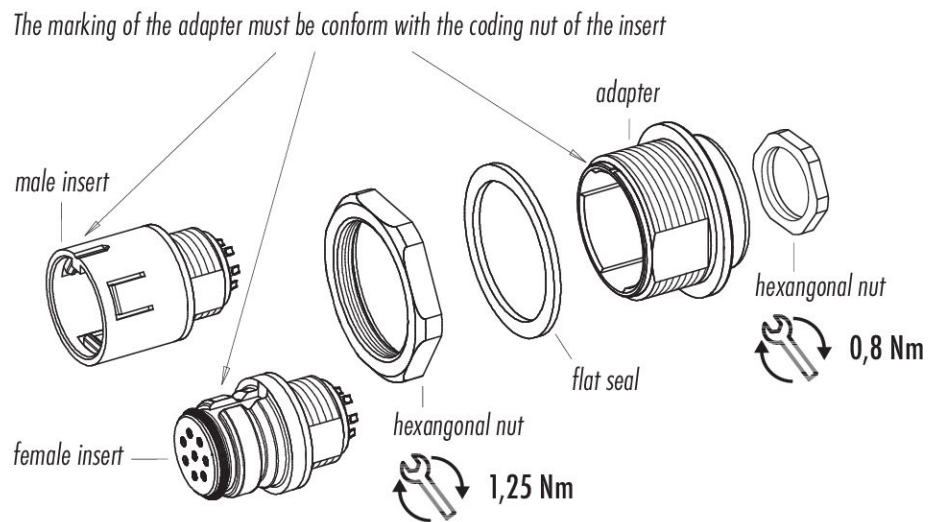
Product data sheet

Connectors for medical applications

Product description **Adapter, unshielded, screwable from the front**

Area **Snap-in IP67, miniature**
Part no. **08 2434 400 001**

Assembly instructions



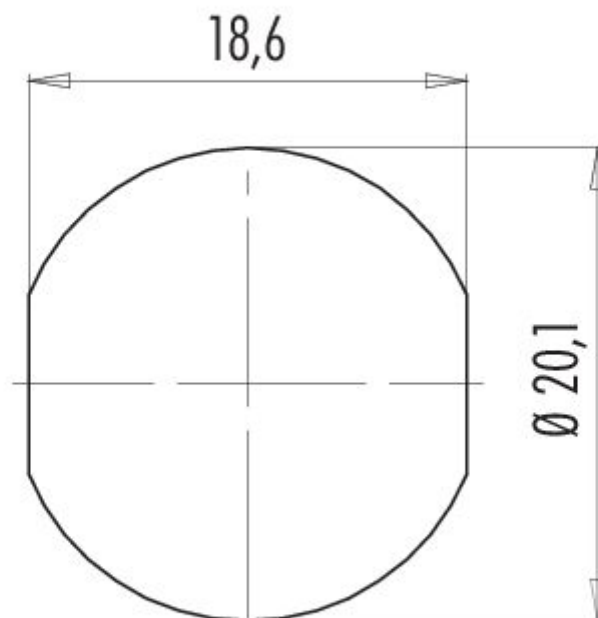
Inserts have to be ordered separately

Product data sheet
Connectors for medical applications



Product description	Adapter, unshielded, screwable from the front
Area	Snap-in IP67, miniature
Part no.	08 2434 400 001

Assembly instructions / Panel cut-out



Product data sheet

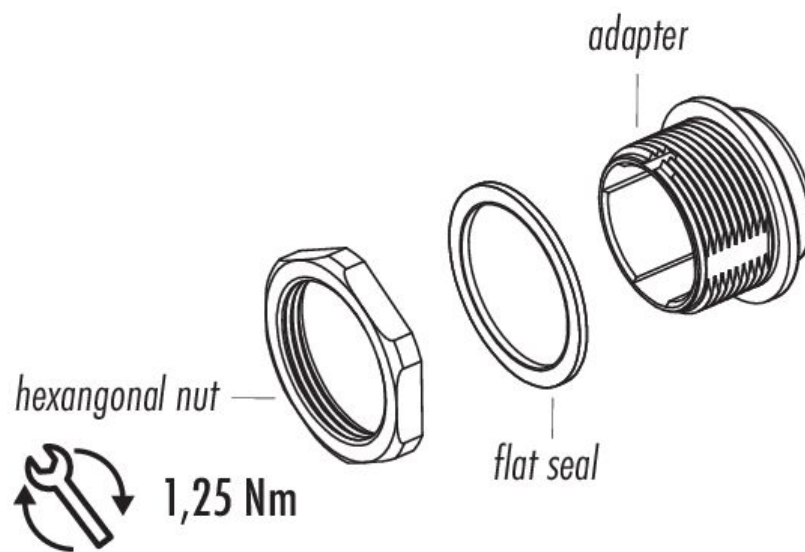
Connectors for medical applications



Product description **Adapter, unshielded, screwable from the front**

Area **Snap-in IP67, miniature**
Part no. **08 2434 400 001**

Component part drawing



Product data sheet

Connectors for medical applications



Product description	Adapter, unshielded, screwable from the front
Area	Snap-in IP67, miniature
Part no.	08 2434 400 001

Security notices

The connector must not be plugged or unplugged under load. Non-observance and improper use can result in personal injury.

The connectors have been developed for applications in plant engineering, control and electrical equipment construction. The user is responsible for checking whether the connectors can also be used in other areas of application.

To protect against unintentional opening of the connector, the thread between the housing and the connector head must be secured with a suitable cyanoacrylate adhesive when used in circuits with voltages dangerous to the touch. This does not apply to connectors used in SELV and PELV circuits according to IEC 61140 (EN 61140, VDE 0140-1).

Connectors which are used in circuits with voltages dangerous to the touch may only be installed and used by, or under the supervision of, persons with electrical engineering training, taking into account the applicable regulations and standards.

Plug connectors with enclosure protection IP67 and IP68 are not suitable for use under water. When used outdoors, the plug connectors must be protected separately against corrosion. For further information on the IP protection classes, please refer to the "Technical Information" download centre.